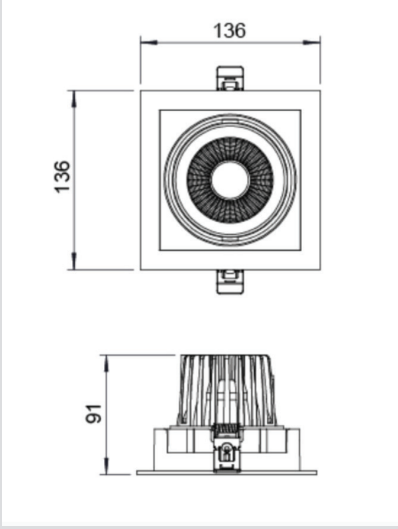




GL01-15W

FEATURES

- Featuring two light engine sizes, these modules can be effortlessly swapped across 20+ fitting variations, including fixed or adjustable, flat or deeply recessed, single or double configurations
- Exceptional light quality, replicating the warm, precise illumination of halogen lamps while ensuring superior efficiency.
- Ideal for both residential and commercial spaces.



SPECIFICATION

Basic Parameters

Light source	COB
Input Voltage	AC220~240V 50/60Hz
Dimmability	Dimmable Optional
Storage temperature	-30°C~60°C
Operating temperature	-20°C~40°C
Current: (Adjustable)	350mA 350mA 350mA 1x15W 2x15W 3x15W
Rated life:	>50,000 hours

Product Ordering

CODE	LM-M	COLOUR	STOCKED
GL01-15W			

Installation instruction

