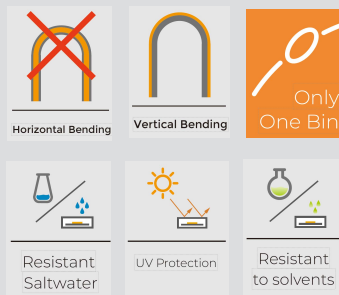


GLOPRO SAUNA 1010

FEATURES

- Made of Dow Chemical SILASTIC™ ET-7021 silicone rubber, which provides high transparency and high strength.
- Environmental protection grade silicone material, integrated extrusion molding process;
- Unique optical light distribution structure design, uniform lighting surface and no shadow;
- IP67 protection level, salt solution resistance, acids & alkali and UV resistance.
- Dust-free matte finish, Using Lumileds LEDs, the SDCM of finished product can be minimized to 3 steps;
- 5 years warranty, working life ≥ 50000 hours.



SPECIFICATION

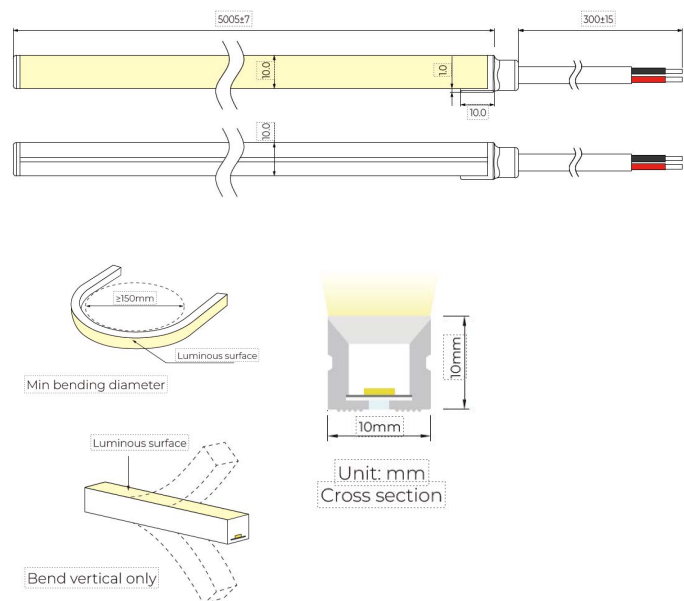
Basic Parameters

Specification	
Size	10mm (W) x 10mm (H)
Input Voltage	DC24V
Max Power	10W/1m
Lumen (per/m)	831 / 868 / 885
Efficiency (lumen per/w)	83.1 / 86.8 / 88.5
Colour / CCT	2700K / 3000K / 4000K
Cutting Increment	50mm
IP Rating	IP67
CRI	≥ 90
Finish	White
LED Pin Temperature	Max 65°C
Storage Temperature	-25°C~ 60°C
Ambient Temperature	-25°C~ 45°C

Product Ordering

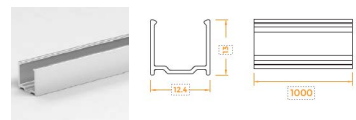
CODE	COLOUR	LM/M	STOCKED
GLOPRO-24-SAUNA -1010-2700-67-W	2700K	831	S/O
GLOPRO-24-SAUNA -1010-3000-67-W	3000K	868	S/O
GLOPRO-24-SAUNA -1010-4000-67-W	4000K	885	S/O

Technical Diagram

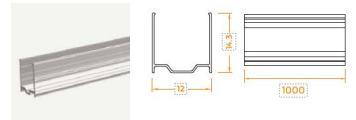


Recommended Accessories

GLOPRO-24-SAUNA-1010A-1000
Aluminium profile
1000(±5)x12.4x13mm (L x W x H)



GLOPRO-24-SAUNA-1010P-1000
Transparent PC Profile
1000(±5)x12x14.3mm (L x W x H)



GLOPRO-24-SAUNA-1010SS-15
Stainless steel mounting clips
8x7.6x11.6mm (L x W x H)

