



SPECIFICATION

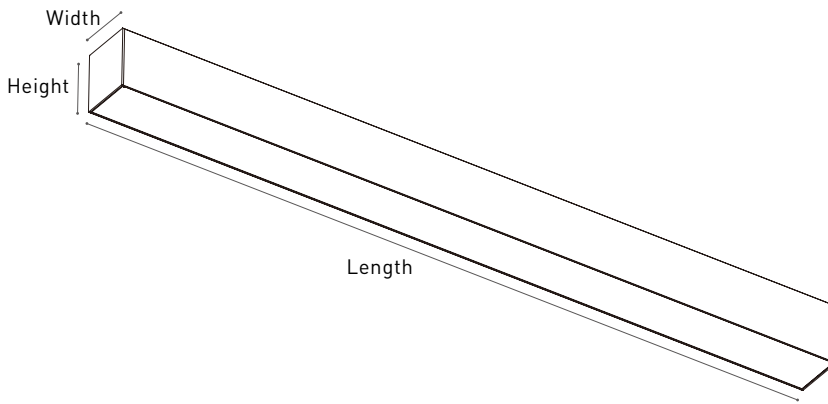
Architectural Profile

series

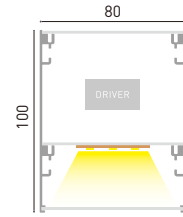
ALIGN 10080



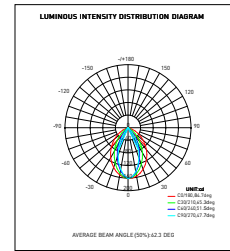
Type



Profile Section



IES instruction

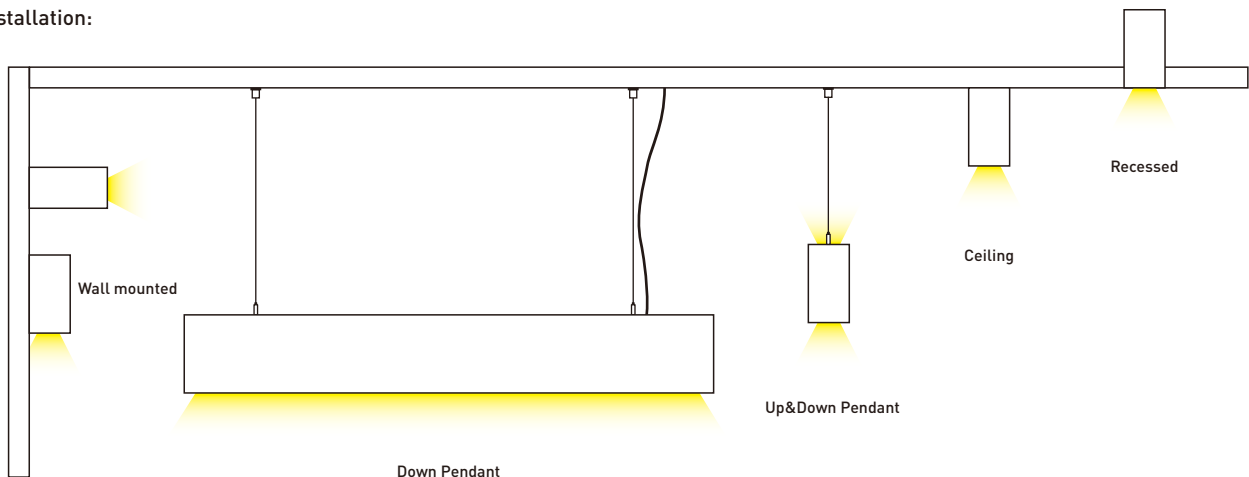


Product code:

L 80 100 - P - D - L1200 B - DF - 036 W100 - 840K - N - P

Light	Light	L
Width	80mm	80
Height	100mm	100
Product Shape	P: Line	P
Lighting	D: Down lighting, U:Up lighting	D
Size	Length:1200mm Customized with CAD files	L1200
Color	B:black, W:white, S:silver, G:gold	B
Cover	DF: Polycarbonate, M1:Prismatic, M2:Frosted prismatic	DF
Power	30W/m	036
Luminous Efficiency	100lm/W	W100
CRI	8:CRI>80,9:CRI>90,	840K
CCT	27K:2700K, 30K:3000K, 40K:4000K, 60K:6000K, 65K:6500K	N
Dimming	N:no dimming, 01:0-10V dimming, 10:1-10V dimming, D:DALI dimming	P
Install	P:pendant, R:recessed, S:ceiling, W:wall mounted	
Certification	CB, CE, RoHS, DALI, FLICKER FREE 5 YEARS WARRANTY	

Installation:

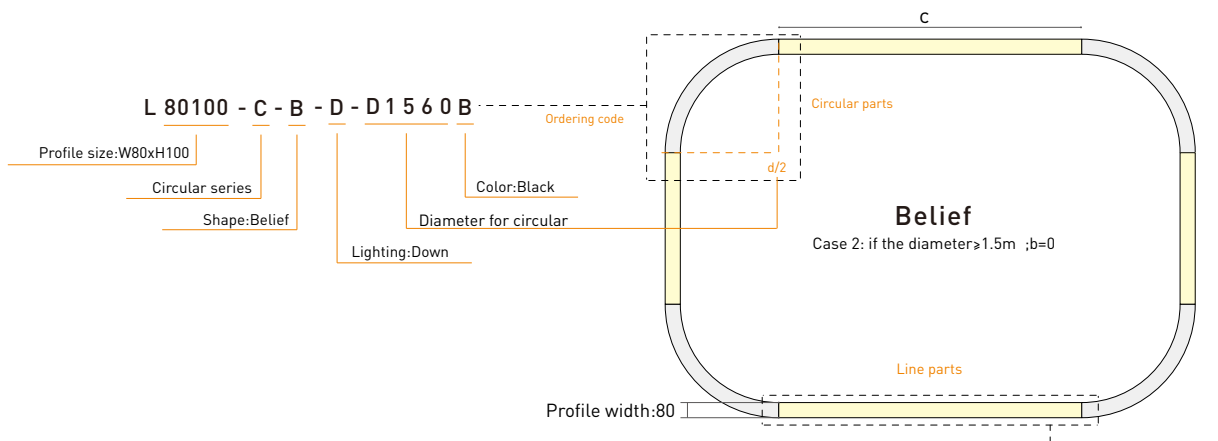
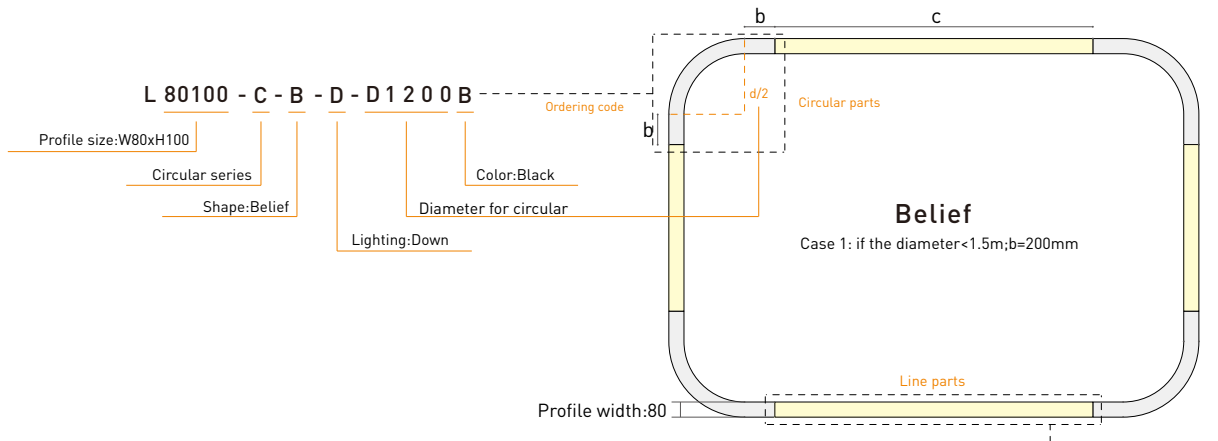
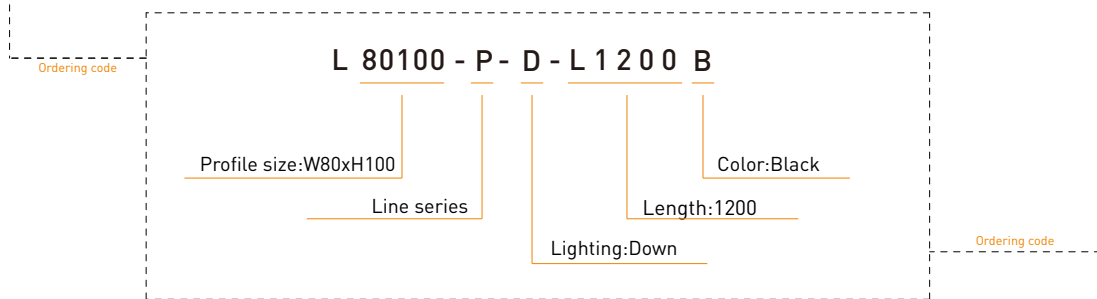
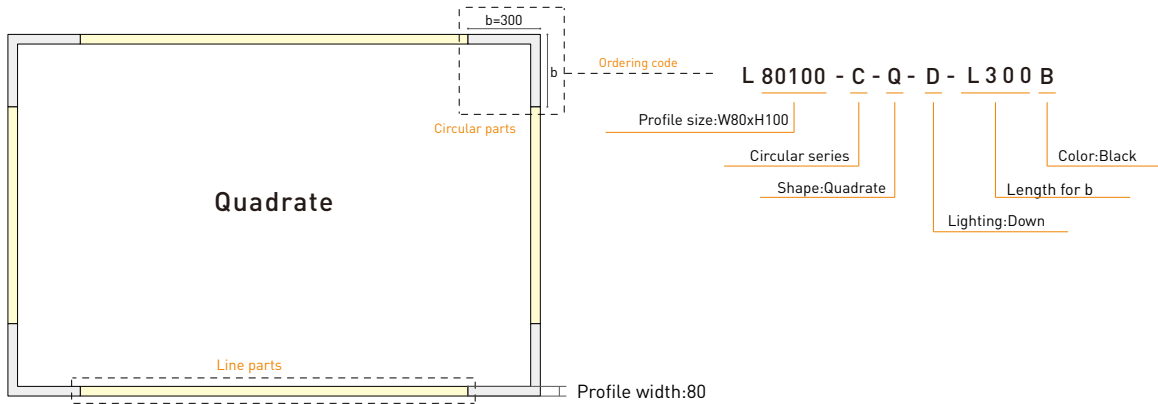


Ordering code for L80100

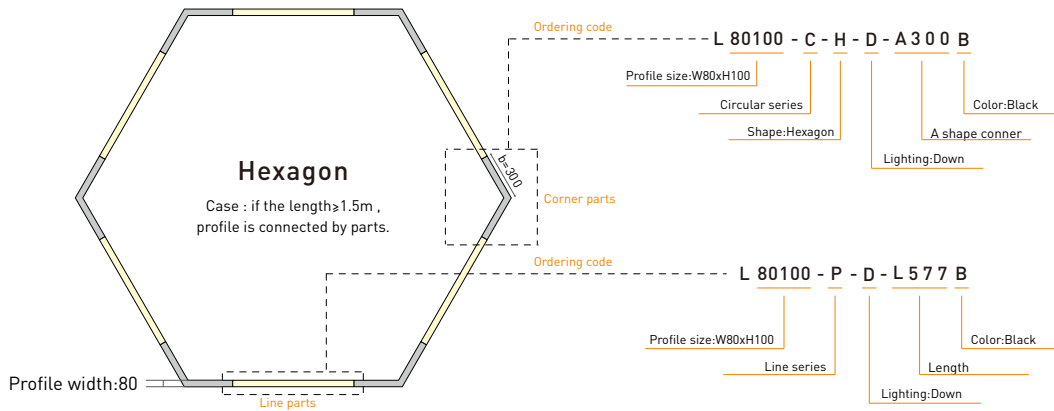
*Lumens @4000K, CRI 80

Model	Item	Size/mm	Power/W 1 pcs	Lumens /lm	Dimming	CCT	CRI	Input /VAC	Color	Certification
L80100	L80100-P-D-L500	W80xH100xL557	15	1500	Non Dali Push 0-10V	2700K 3000K 4000K 6000K 6500K	>80 >90 >95	200-240 100-277	White Black Silver Gold	CE CB SAA RCM RoHS ETL
	L80100-P-D-L600	W80xH100xL1147	18	1800						
	L80100-P-D-L700	W80xH100xL1527	21	2100						
	L80100-P-D-L800	W80xH100xL1907	24	2400						
	L80100-P-D-L900	W80xH100xL2287	27	2700						
	L80100-P-D-L1000	W80xH100xL2667	30	3000						
	L80100-P-D-L1100	W80xH100xL3047	33	3300						
	L80100-P-D-L1200	W80xH100xL3427	36	3600						
	L80100-P-D-L1300	W80xH100xL3807	39	3900						
	L80100-P-D-L1400	W80xH100xL4187	42	4200						
	L80100-P-D-L1500	W80xH100xL557	45	4500						
	L80100-P-D-L1600	W80xH100xL1147	48	4800						
	L80100-P-D-L1700	W80xH100xL1527	51	5100						
	L80100-P-D-L1800	W80xH100xL1907	54	5400						
	L80100-P-D-L1900	W80xH100xL2287	57	5700						
	L80100-P-D-L2000	W80xH100xL2667	60	6000						
	L80100-P-D-L2100	W80xH100xL3047	63	6300						
	L80100-P-D-L2200	W80xH100xL3427	66	6600						
L80100-P-D-L2300	W80xH100xL3807	69	6900							
L80100-P-D-L2400	W80xH100xL4187	72	7200							

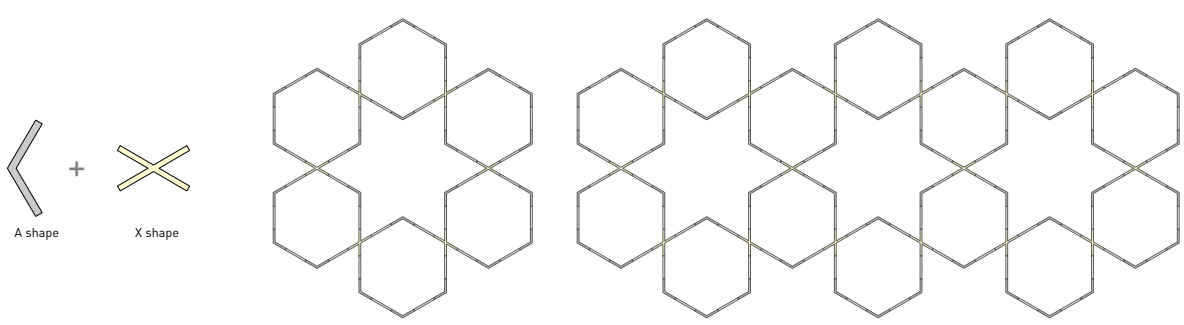
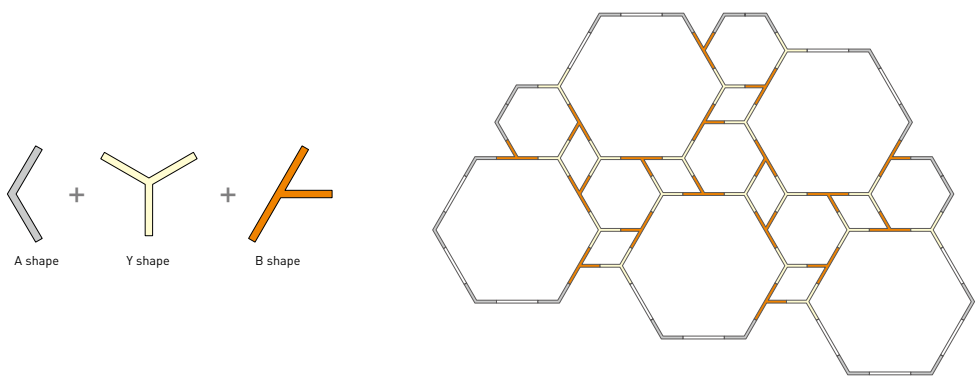
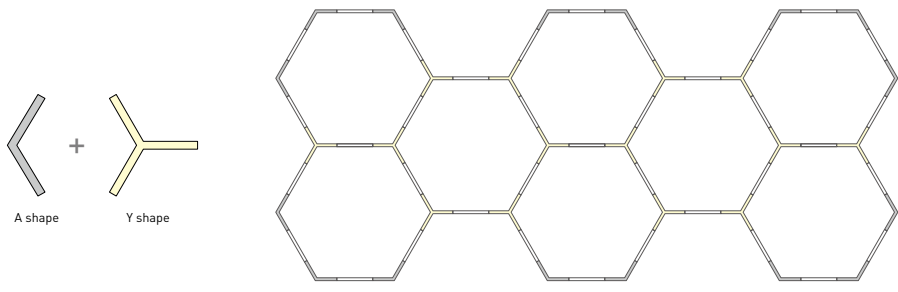
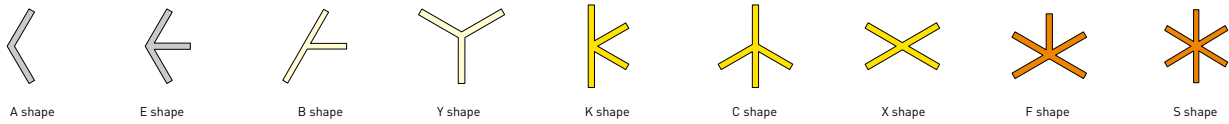
More shape



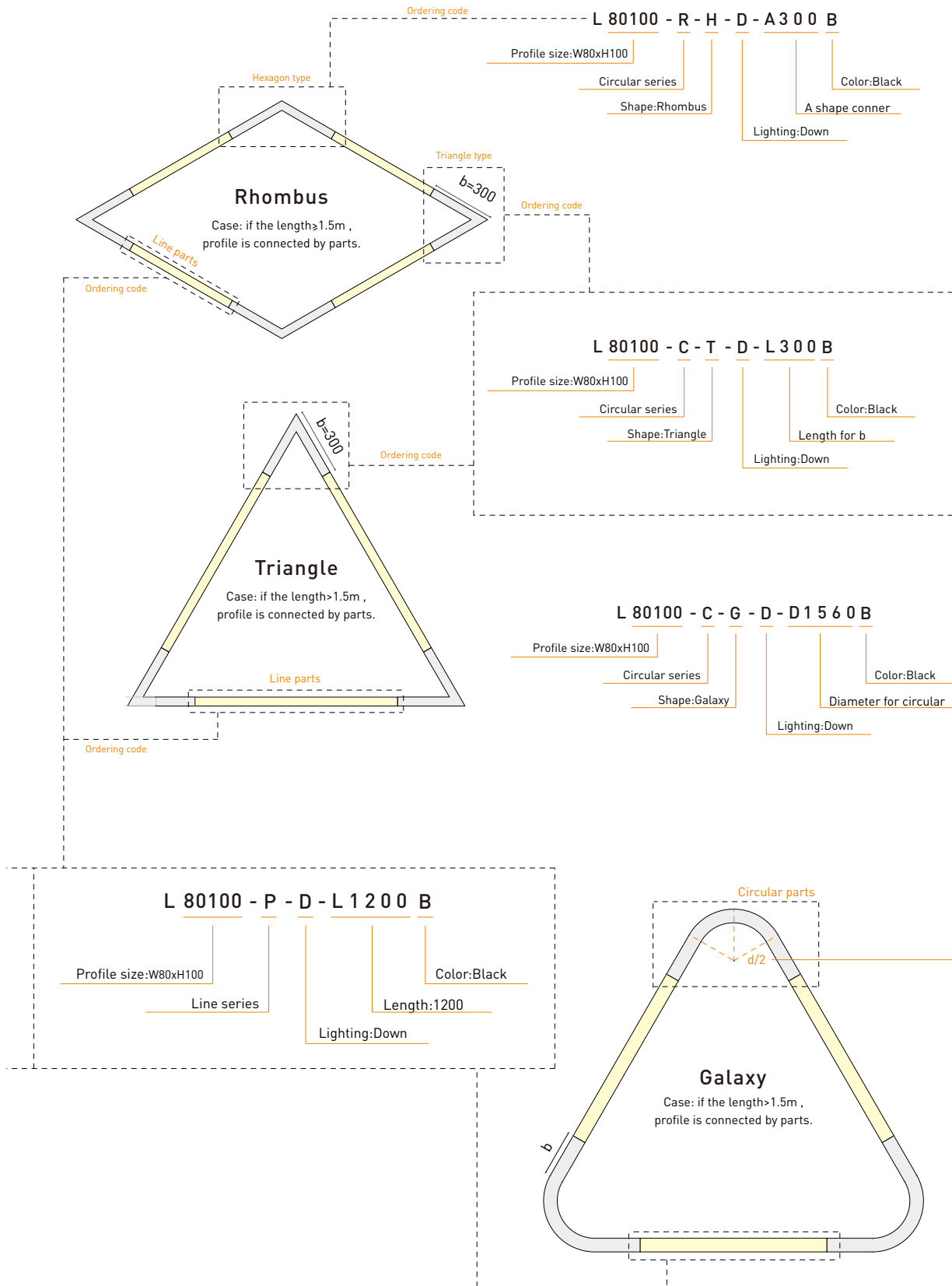
More shape



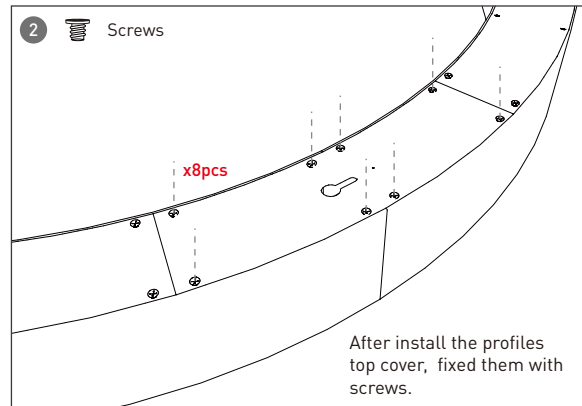
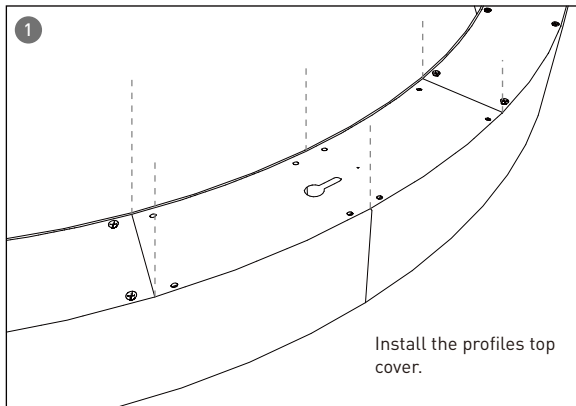
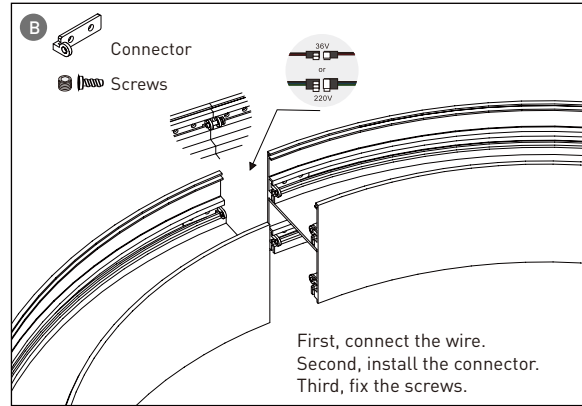
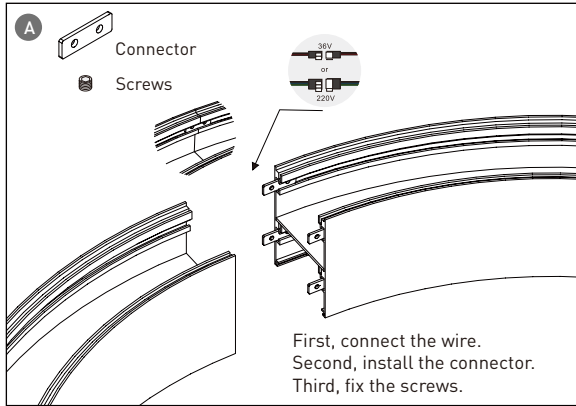
Corners for more shapes



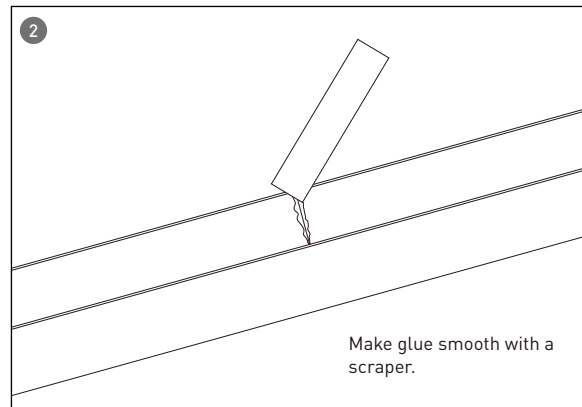
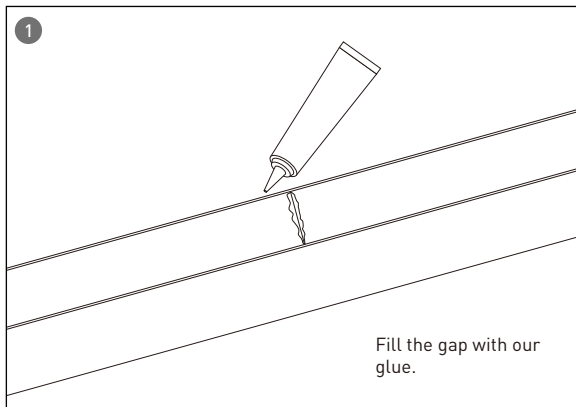
More shape



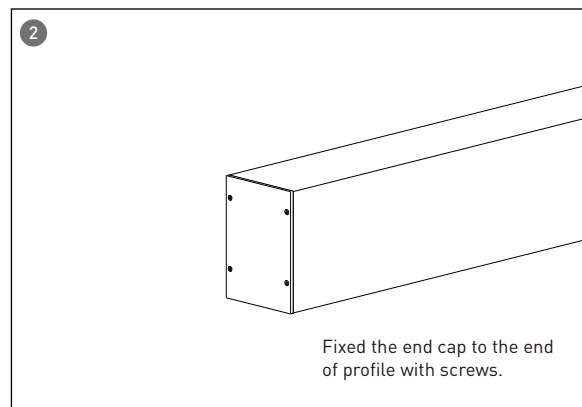
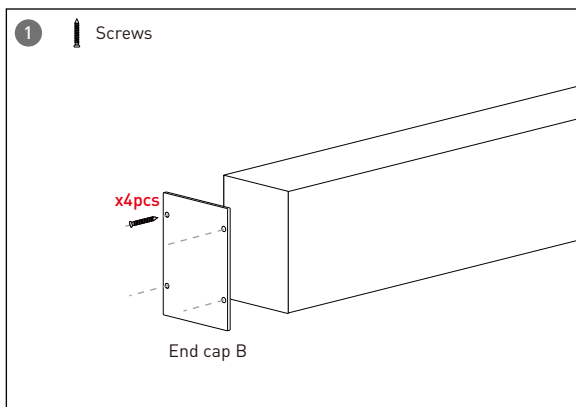
Installation-Profile connection



Installation-Cover



Installation-End cap



Installation-Pendant with ceiling box

1

x n pcs
 $L \leq 2m, n=2;$
 $2m < L \leq 3.6m, n=3;$

First, make marks on the ceiling, then dig holes.

2

For Big box

x2 pcs

Second, fixed the terminals of the pendant suit and box holder with screws

3

x n pcs
 $L \leq 2m, n=2;$
 $2m < L \leq 3.6m, n=3;$

Install the terminals of the pendant suit.

4

Install the lamp as above showing.

5a

If the driver is **dimming & external** installation

Dimming wire

Big box

Input wire AC-

-36VDC

LED+
LED-

Connect the wires correctly as above showing.

5b

If the driver is **non-dimming & external** installation

Big box

Input wire AC-

-36VDC

LED+
LED-

Connect the wires correctly as above showing.

6

x2 pcs

Big box

Install the big box as above showing.

7

Finished

Installation-Pendant cable

1

x n pcs
 $L \leq 2m, n=2;$
 $2m < L \leq 3.6m, n=3;$

First, make marks on the ceiling, then dig holes.

2

For Small box
 x2pcs

Second, fixed the terminals of the pendant suit and box holder with screws

3

x n pcs
 $L \leq 2m, n=2;$
 $2m < L \leq 3.6m, n=3;$

Install the terminals of the pendant suit.

4

Install the lamp as above showing.

5a

If the driver is **dimming & internal** installation

Color for wires

- AC-L
- AC-N
- GND
- DIM+(DA1)
- DIM-(DA2)

Connect the wires correctly as above showing.

5b

If the driver is **non-dimming & internal** installation

Color for wires

- AC-L
- AC-N
- GND

Connect the wires correctly as above showing.

6

x2pcs
 Driver
 Small box


Install the small box as above showing.

7

Finished

Installation-Screws ceiling

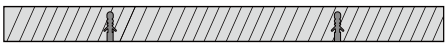
1



x n pcs
 $L \leq 2m, n=2;$
 $2m < L \leq 3.6m, n=3;$

First, make marks on the ceiling, then dig holes.

2

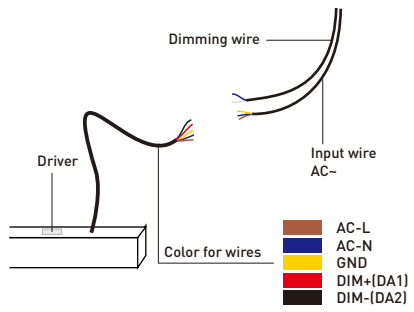


x n pcs

Fixed the screws on ceiling.

3a

If the driver is **dimming & internal** installation



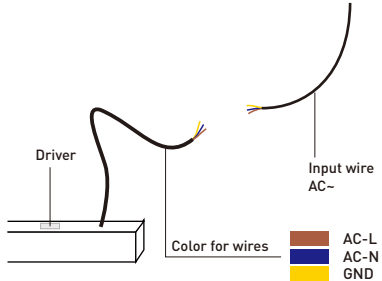
Color for wires

- AC-L
- AC-N
- GND
- DIM+{DA1}
- DIM-{DA2}

Connect the wires correctly as above showing.

3b

If the driver is **non-dimming & internal** installation

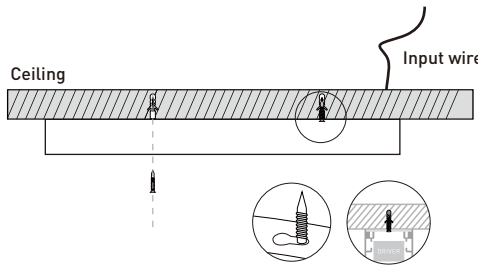


Color for wires

- AC-L
- AC-N
- GND

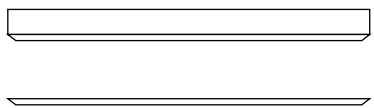
Connect the wires correctly as above showing.

4



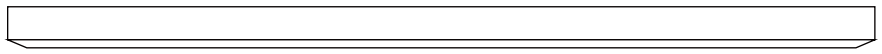
Install the lamp with screws.

5



Install the cover.

6



Finished.

Installation-Clip ceiling

1

x n pcs
 $L \leq 2m, n=2;$
 $2m < L \leq 3.6m, n=3;$

First, make marks on the ceiling, then dig holes.

2

Install the clip on ceiling.

3a If the driver is **dimming & internal** installation

Connect the wires correctly as above showing.

3b If the driver is **non-dimming & internal** installation

Connect the wires correctly as above showing.

4

Install the clip on profiles as above showing.

5

Install the lamp.

6

Finished.

Installation-Recessed

1

First, install the clip on profiles as above showing.

2

Second, make a hole by the size of the luminaire, and fixed the screws on ceiling.

3a

If the driver is **dimming & internal** installation

Color for wires

- AC-L
- AC-N
- GND
- DIM+(DA1)
- DIM-(DA2)

Connect the wires correctly as above showing.

3b

If the driver is **non-dimming & internal** installation

Color for wires

- AC-L
- AC-N
- GND

Connect the wires correctly as above showing.

4

Install the lamp with the screws.

5

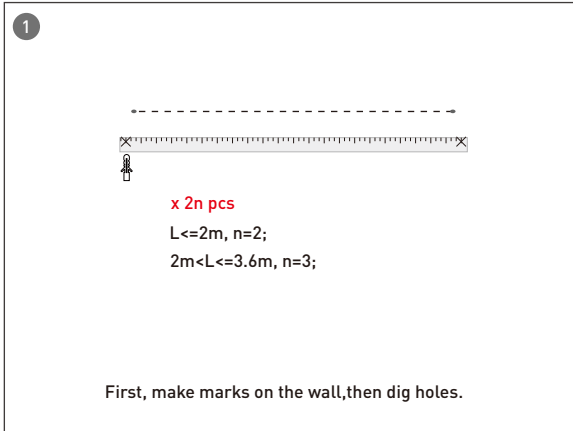
Make the ceiling smooth with the tool.

6

Finished.

Installation-Wall mounted

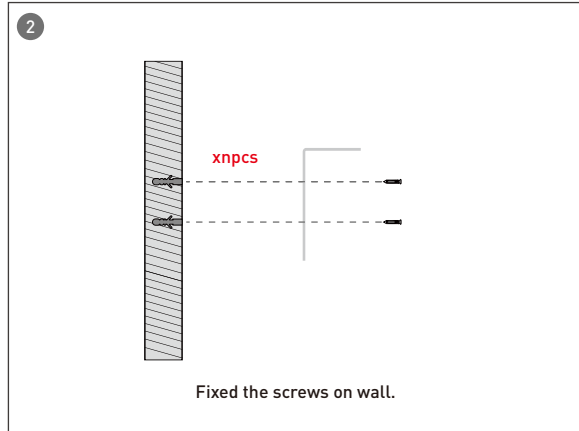
1



x 2n pcs
 $L \leq 2m, n=2;$
 $2m < L \leq 3.6m, n=3;$

First, make marks on the wall, then dig holes.

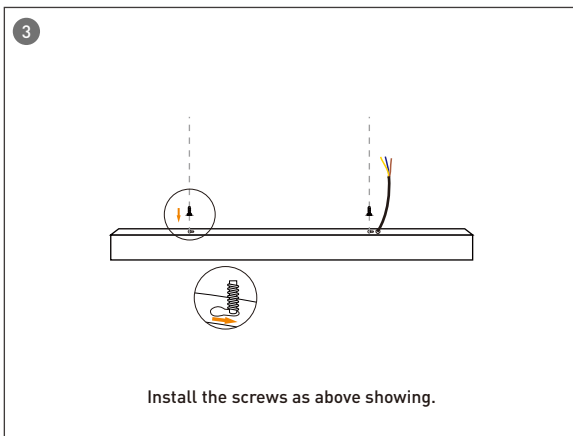
2



x n pcs

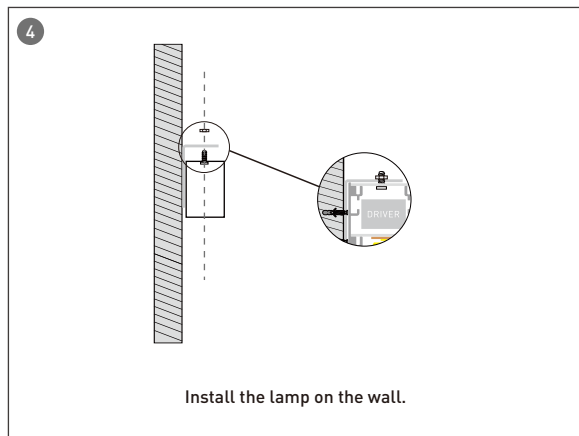
Fixed the screws on wall.

3



Install the screws as above showing.

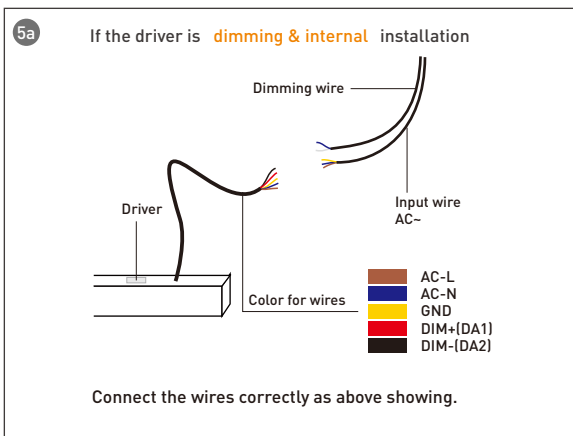
4



Install the lamp on the wall.

5a

If the driver is **dimming & internal** installation



Dimming wire

Input wire AC-

Driver

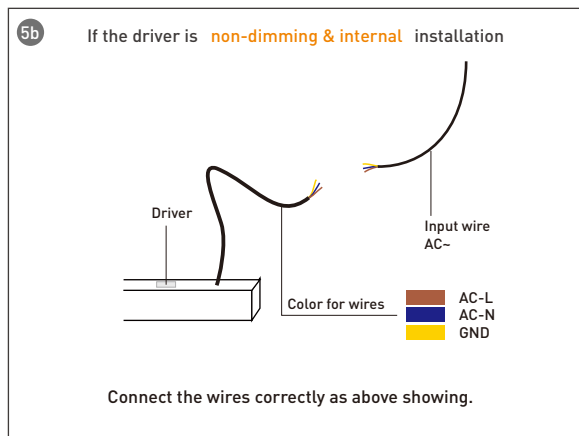
Color for wires

Blue	AC-L
White	AC-N
Yellow	GND
Red	DIM+(DA1)
Black	DIM-(DA2)

Connect the wires correctly as above showing.

5b

If the driver is **non-dimming & internal** installation



Input wire AC-

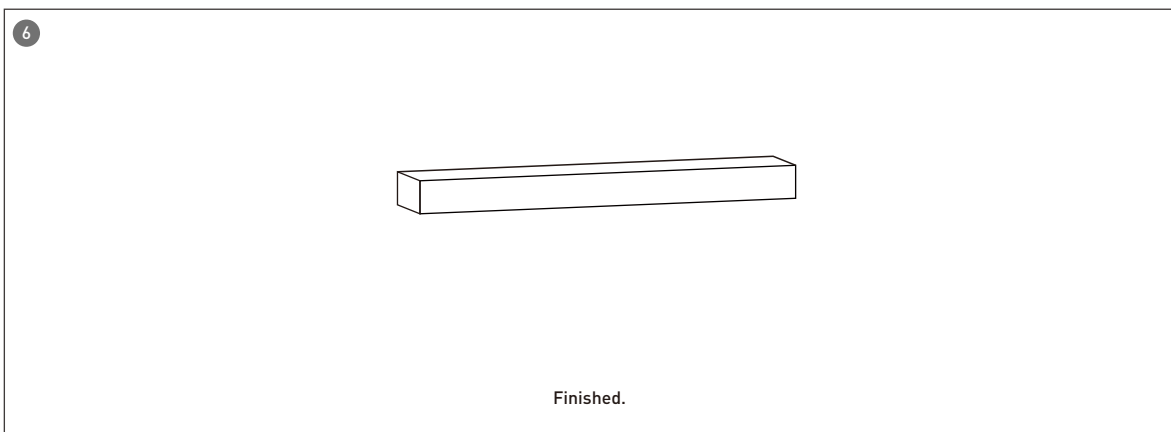
Driver

Color for wires

Blue	AC-L
White	AC-N
Yellow	GND

Connect the wires correctly as above showing.

6



Finished.