



**5 YEAR
WARRANTY**

360W DALI Dimmable LED Driver with PWM Output

Features of the: DD2V-360 Series



Constant Voltage PWM Output



IP66 Design For Outdoor Installation



AC Input Range: 180-240VAC



Cooling by Free Air Convection



Protections:
• Short Circuit
• Over Load
• Over Temperature



Factory Fitted Flex and Plug



Class I Power Supply



DALI Protocol IEC 62386



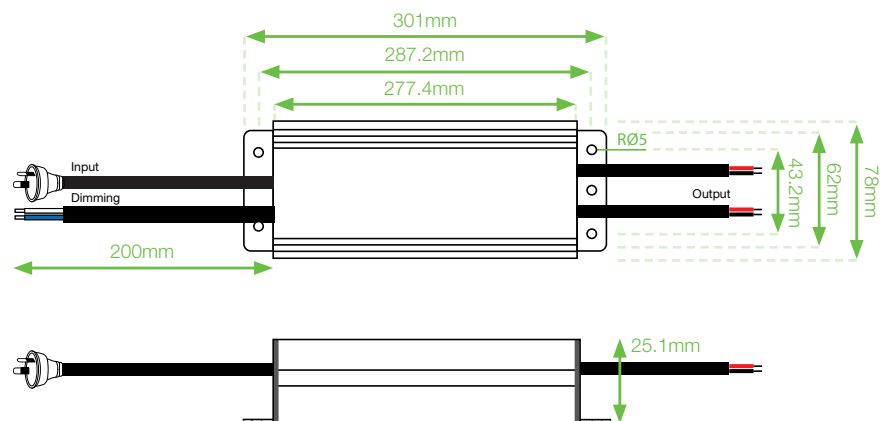
    IP66 SELV

Model		DD2V-360-24
Output	DC voltage	24V PWM Frequency 20kHz
	Voltage tolerance	±0.2V (see Note 2.)
	Rated current	15A
	Rated power	360W
Input	Voltage range	180-240VAC
	Frequency range	47-63HZ
	Power factor	PF≥0.98/230VAC (Full loading)
	Full load efficiency (Typ.)	93.5%
	AC current (Max.)	2.7A
	Leakage current	<0.50mA
	Inrush current	65A (Twidth 640us measured at 50% I peak, COLD START, 230VAC)
	MAX. No. of drivers on 16A Circuit breaker	4 units (circuit breaker of type B) / 2 units (circuit breaker of type C) at 230VAC
Protection	Short circuit	Hiccup mode, re-power recovers after fault condition is removed
	Over loading (Note 4.)	Hiccup mode ≤120%, auto-recovery after fault condition is removed
	Over temperature	Ambient 55°C ±10%, recovers when temp drops
Environment	Working TEMP.	-40~+60°C (refer to de-rating curve)
	Working humidity	20~95%RH, non-condensing
	Storage TEMP., humidity	-40~+80°C, 10-95%RH
	TEMP. coefficient	±0.03%/°C (0~50°C)
	Vibration	10-500Hz, 2G 10min./1 cycle, period for 60min, each along X, Y, Z axes
Safety & EMC	Safety standards	EN61347-1 EN61347-2-13 IP66
	Withstand voltage	I/P-O/P:3.75KVAC I/P-FG:1.5KVAC O/P-FG:0.5KVAC
	Isolation resistance	I/P-O/P I/P-FG O/P-FG:100MΩ/500VDC/25°C/70%RH
	EMC emissions (Note 3.)	EN55015, EN61000-3-2, EN61000-3
	EMC immunity	EN61000-4-2,3,4,5,6, 11, EN61547
Others	Net. weight	1.15kg
	Size	301*78*25.1mm (L*W*D)
	Packing	-
Notes	<ol style="list-style-type: none"> All parameters NOT specially mentioned are measured at 230VAC input, rated load and 25°C of ambient temperature. Tolerance: Includes set up tolerance, line regulation and load regulation. The LED driver is considered as a component that is operated in conjunction with final equipment. EMC performance could be affected by the complete installation. Original equipment manufacturers may need to conduct additional EMC testing and certification on the final equipment. Loading range from 10% to 100%. Specifications are subject to change without prior notice. Contact your supplier to confirm any critical parameters. 	

Input & Output Wiring

- **Input:** 1m AU Flex and Plug.
- **Output:** Rubber cable 2*2.08mm², Red: (V+) Positive, Black: (V-) Negative.
- **Dimming:** Rubber cable 2*1.00mm², Blue: DA, White DA (non-polarised).

Mechanical Specification

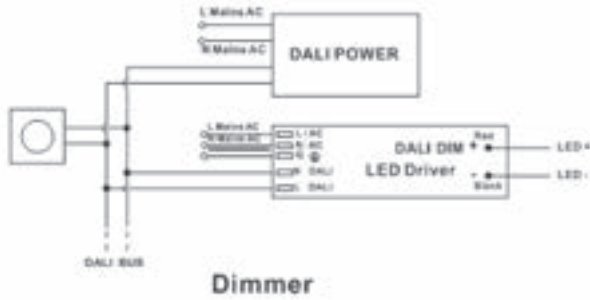


DD2V-320-12V

Dimming Operation

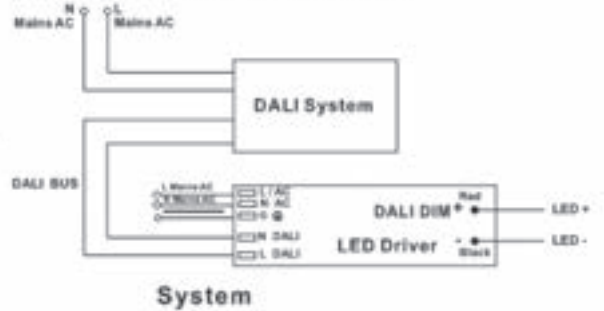
Single Driver Connector Diagram

DALI Dimming Wiring Diagram1



Dimmer

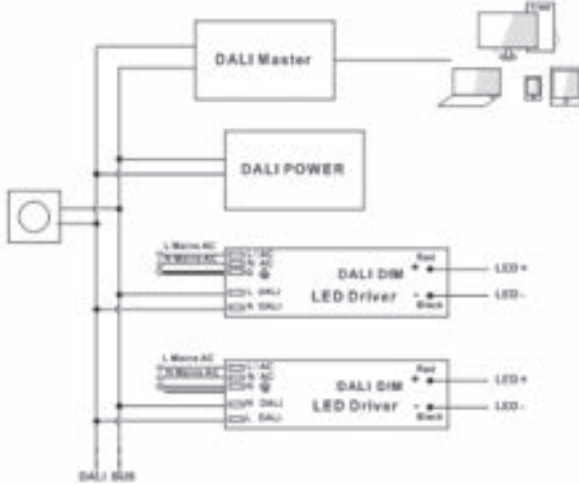
DALI Dimming Wiring Diagram2



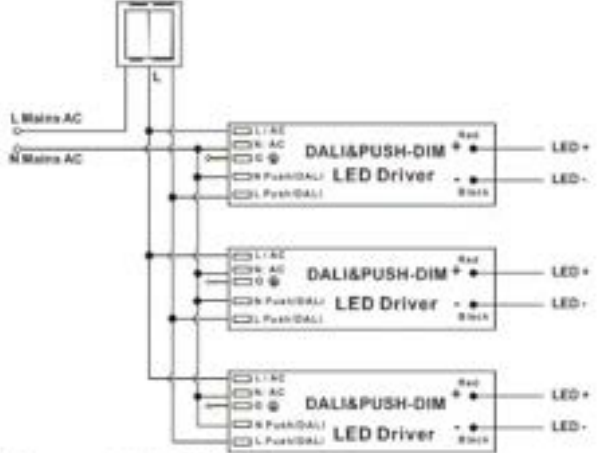
System

Multiple Drivers Connection Diagram

DALI Dimming Wiring Diagram3

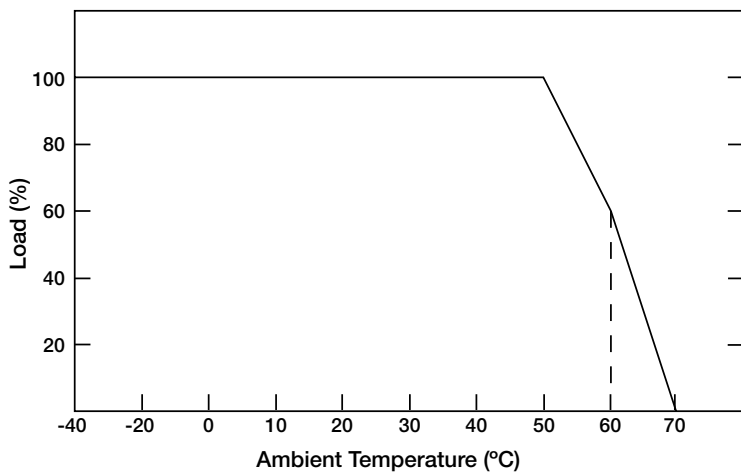


Push-Dimming Wiring Diagram1



Dimmer (with ON/OFF function)

De-Rating Curve



- If being used in higher ambient temperatures, ensure the load on the LED driver is de-rated in accordance with this chart. Failure to do so could lead to a premature failure, which is not covered by the warranty.